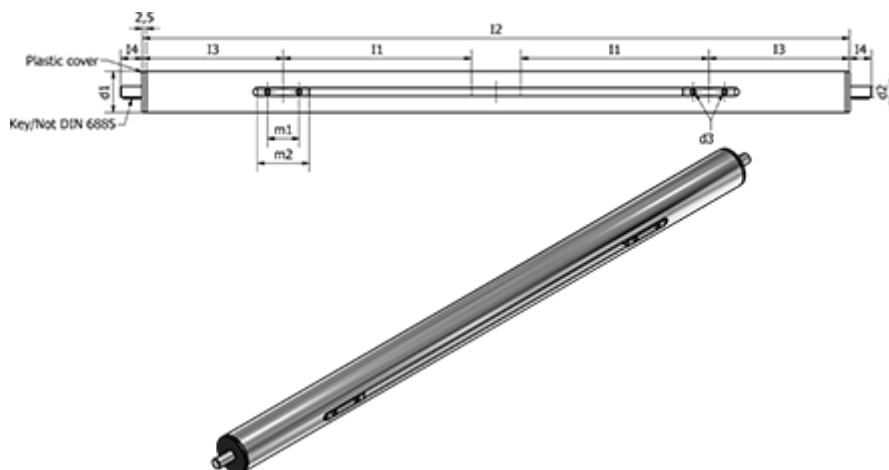


Article number: 2029360250RR2SCR

Description: E+G Linear actuators - GN 293-60-250-RR2-SCR

Measures



$d_1 = 60$

$d_2 f_7 = 14$

$d_3 = M8$

$l_1 = 250$

$l_2 = 2 \times l_1 + 375$

$l_3 = 142.5$

$l_4 = 19$

$m_1 = 58$

$m_2 = 70$

Max. travel = 715

Shaft key DIN 6885 = A5x5x16

Shaft thread = TR24x5